

9354AX ÷ 9359AX

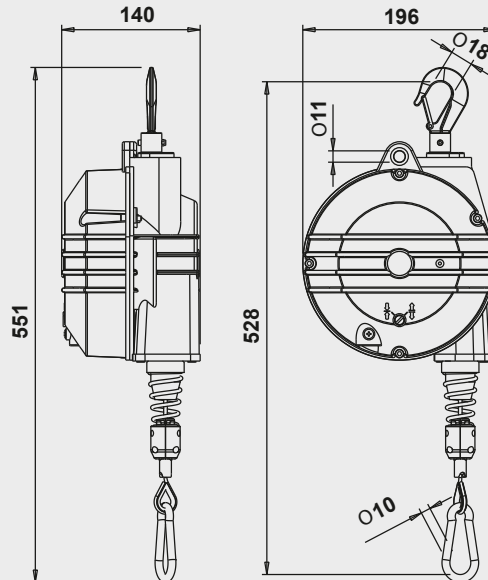
UVOZNIK :
ALATISTHERM d.o.o
Koče Kapetana 25
35230 Čuprija - Srbija
tel/fax : +381 (35) 8471-196
mob1 : +381 (65) 8410651
mob2 : +381 (65) 2771802
e-mail : office@alatistherm.in.rs
web : www.alatistherm.co.rs

OPTION F



Option F Brake device

The balancer is equipped with a friction/brake which controls the rotation speed of the drum. This option is feasible when placing a new order while it is not possible to assemble this device on balancers already installed.



Item	9354AX	9355AX	9356AX	9357AX	9358AX	9359AX
Capacity	4÷7	7÷10	10÷14	14÷18	18÷22	22÷25
Weight	4,94	5,30	5,67	6,26	5,89	6,53
Stroke	2000 mm					
Cable	Inox					
Body	Aluminium					