

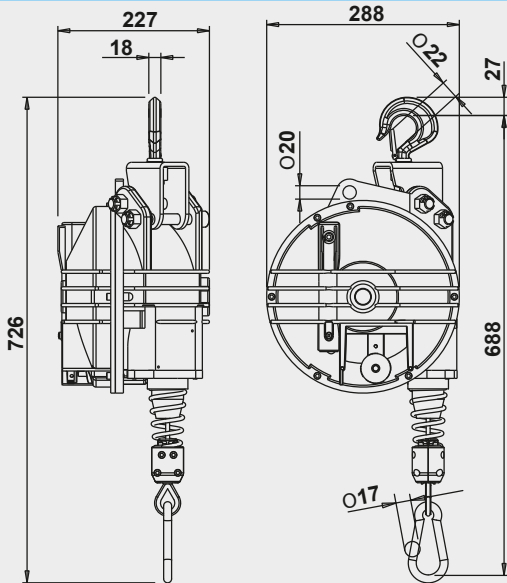
9401 ÷ 9405
9431 ÷ 9433

UVOZNIK :
ALATISTHERM d.o.o
Koče Kapetana 25
35230 Čuprija - Srbija
tel/fax : +381 (35) 8471-196
mob1 : +381 (65) 8410651
mob2 : +381 (65) 2771802
e-mail : office@alatistherm.in.rs
web : www.alatistherm.co.rs



OPTION B
Locking-unlocking device
with control from the floor.

OPTION RI
Rotary and insulating device.



OPTION B



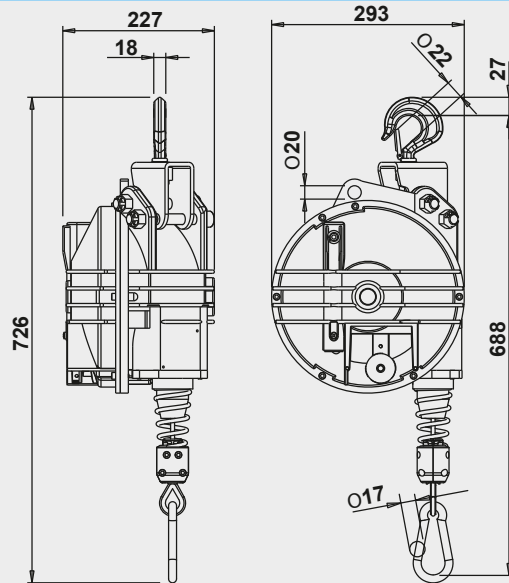
OPTION RI



Item	9401	9402	9403	9404	9405	9431	9432	9433
Capacity	15÷20	20÷30	30÷40	40÷50	50÷60	15÷20	20÷25	25÷35
Weight	19,67	21,11	21,11	22,03	23,07	19,67	19,67	21,11
Stroke	2500 mm					3000 mm		
Cable	Inox							
Body	Aluminium							

9401G ÷ 9405G
9431G ÷ 9433G

18
2500 mm
3000 mm
15÷60
kg



Item	9401G	9402G	9403G	9404G	9405G	9431G	9432G	9433G
Capacity	15÷20	20÷30	30÷40	40÷50	50÷60	15÷20	20÷25	25÷35
Weight	20,75	22,19	22,19	23,12	24,15	20,75	20,75	22,19
Stroke	2500 mm					3000 mm		
Cable	Inox							
Body	Aluminium+Rubber							