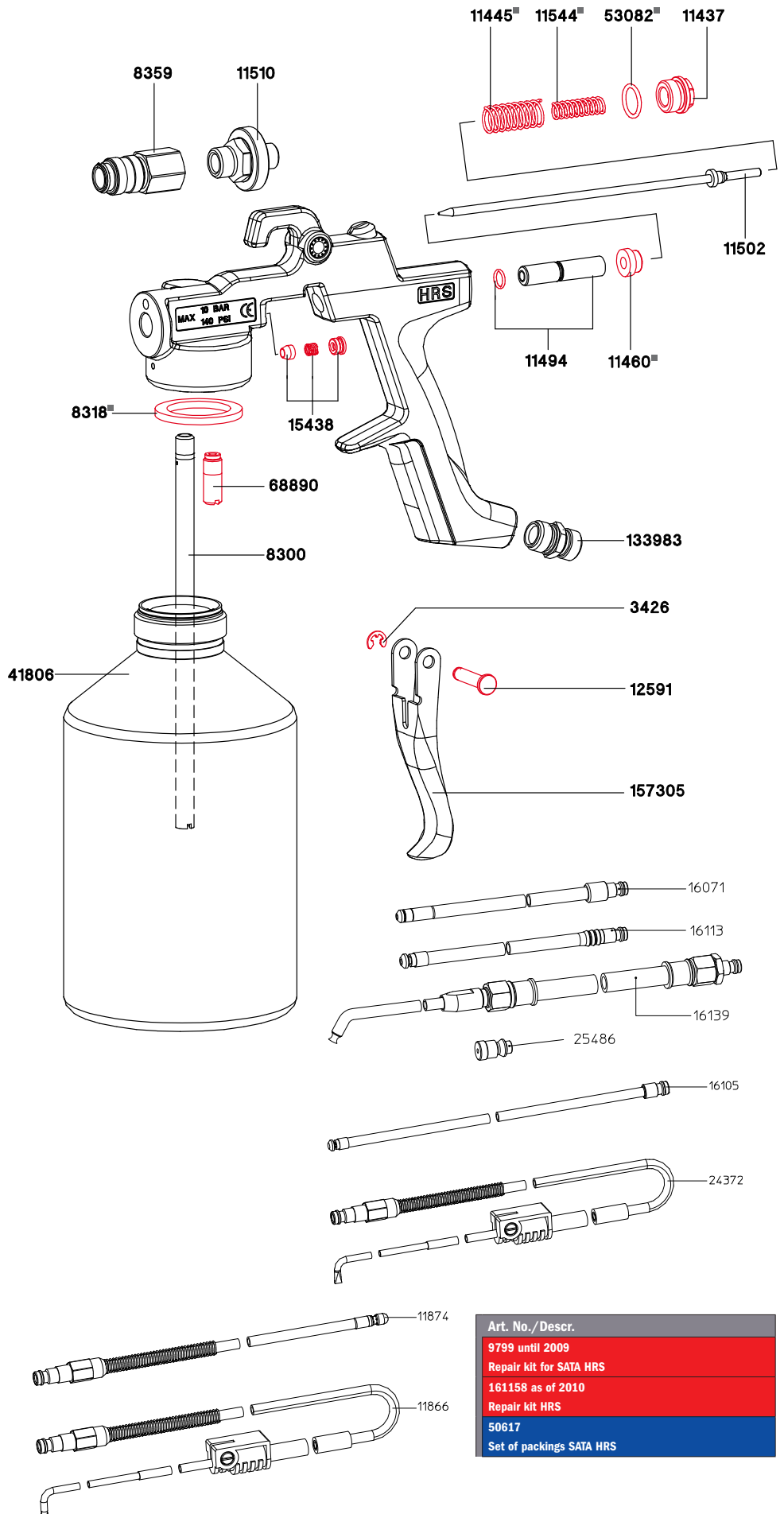


# Spare Parts SATA® HRS™

Original SATA spare parts to enhance the lifetime of the spray gun

Art. No./Descr.
3426
Safety washer 4 mm DIN 6799 stainless steel for trigger
8300
Suction pipe , drilled
8318
Sealing ring
8359
Material coupling for clear passage for wand systems
11437
End screw
11445
Compression spring
11460
Air piston
11494
Cam rod , complete with O-ring
11502
Paint needle 1,5 , complete with needle sleeve
11510
Mixing cap , completely machined
11544
Compression spring for paint needle
12591
Bracket bolt for SATA paint spray guns except for SATA minijet
15438
Paint needle packing
16071
Fixed door wand (steel) 1.300 mm, Ø 8 mm, with radial nozzle 360° radial fan
16113
Flexible nylon wand 1.300 mm, Ø 8 mm, with radial nozzle 360° radial fan
16139
Venturi hook wand Ø 7 mm, with flexible guideway hose, Venturi spraying tube, for cavity and surface application
35204 <sup>III</sup>
Wear-and-tear parts kit
41806
1 liter aluminium pressure pot max. pressure 10 bar/150psi complete with threaded ring
53082
O ring 12 x 1.5 mm, made of Perbunan
68890
Valve cpl.
133983
Air connection piece G1/4a
157305
Trigger HRS, nickel-plated

11866
Venturi hook wand Ø 4 mm, with flexible guideway hose, Venturi spraying tube, for cavity and surface application
11874
Flexible nylon wand 1.500 mm, Ø 6 mm, with radial nozzle 360° radial fan and spraying diagonally backwards and forwards
16105
Flexible nylon wand 1.500 mm, Ø 6 mm, with radial nozzle 360° radial fan
24372
Flat hook nozzle for HRS
25486
Round spray nozzle for surface application and underbody protection



Art. No./Descr.
9799 until 2009
Repair kit for SATA HRS
161158 as of 2010
Repair kit HRS
50617
Set of packings SATA HRS

All prices are suggested list prices. Errors, technical modifications and printing errors reserved.