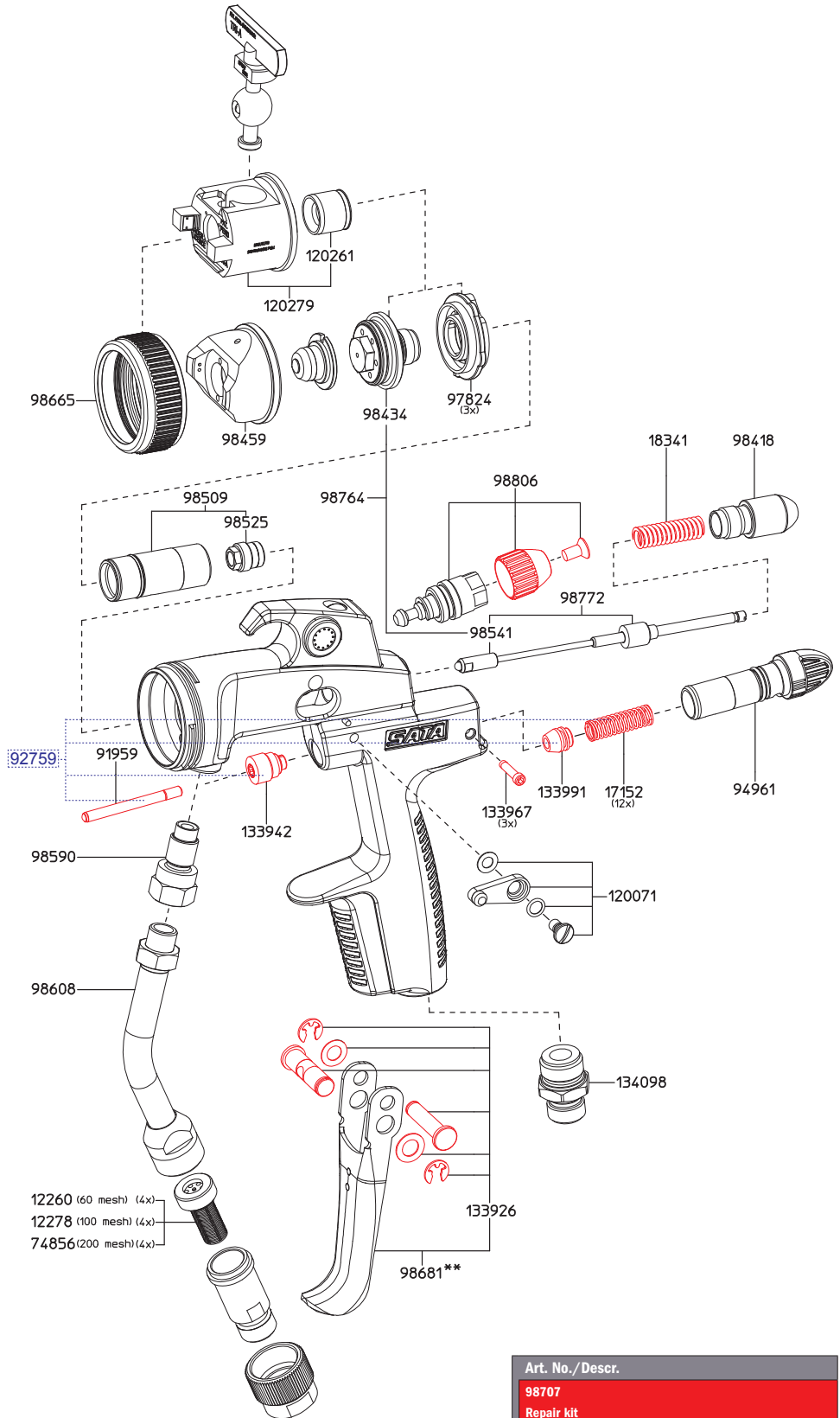


# Spare Parts SATAJet® 3000 K spray mix

Original SATA spare parts to enhance the lifetime of the spray gun

Art. No./Descr.
12260
Pack of 4 sieves 60 msh
12278
Pack of 4 sieves 100 msh
17152
Pack of 12 springs
18341
Compression spring
74856
SATA strainer kit, consisting of 4 sieves 200 msh, 2 strainer holders and 1 screw for SATA paint strainer
91959
Air piston rod
94961
Air micrometer
97824
Pack of 3 air distribution rings
98418
Closing screw
98434
Pre-nozzle, cpl.
98459
Air cap, cpl. Round / flat spray
98509
Insert
98525
Seal retainer
98541
Needle tip, cpl.
98590
Material connection
98608
Paint tube with strainer 100 msh
98665
Air cap ring, cpl.
98681
Trigger kit
98764
Nozzle set consisting of pre-nozzle and needle tip
98772
Paint needle with needle tip HM
98806
Round/flat spray control
120071
Trigger block kit
120261
Packing unit inversion switch for
120279
Retrofit kit inversion switch without inversion nozzle
133926
Trigger sleeve kit
133942
Seal retainer
133967
Pack of 3 adjustment screws
133991
Pack of 3 air piston heads
134098
Air connection piece G1/4a- M15x1a



Art. No./Descr.
<b>98707</b>
<b>Repair kit</b>
<b>92759</b>
<b>Air piston service unit</b>

All prices are suggested list prices. Errors, technical modifications and printing errors reserved.