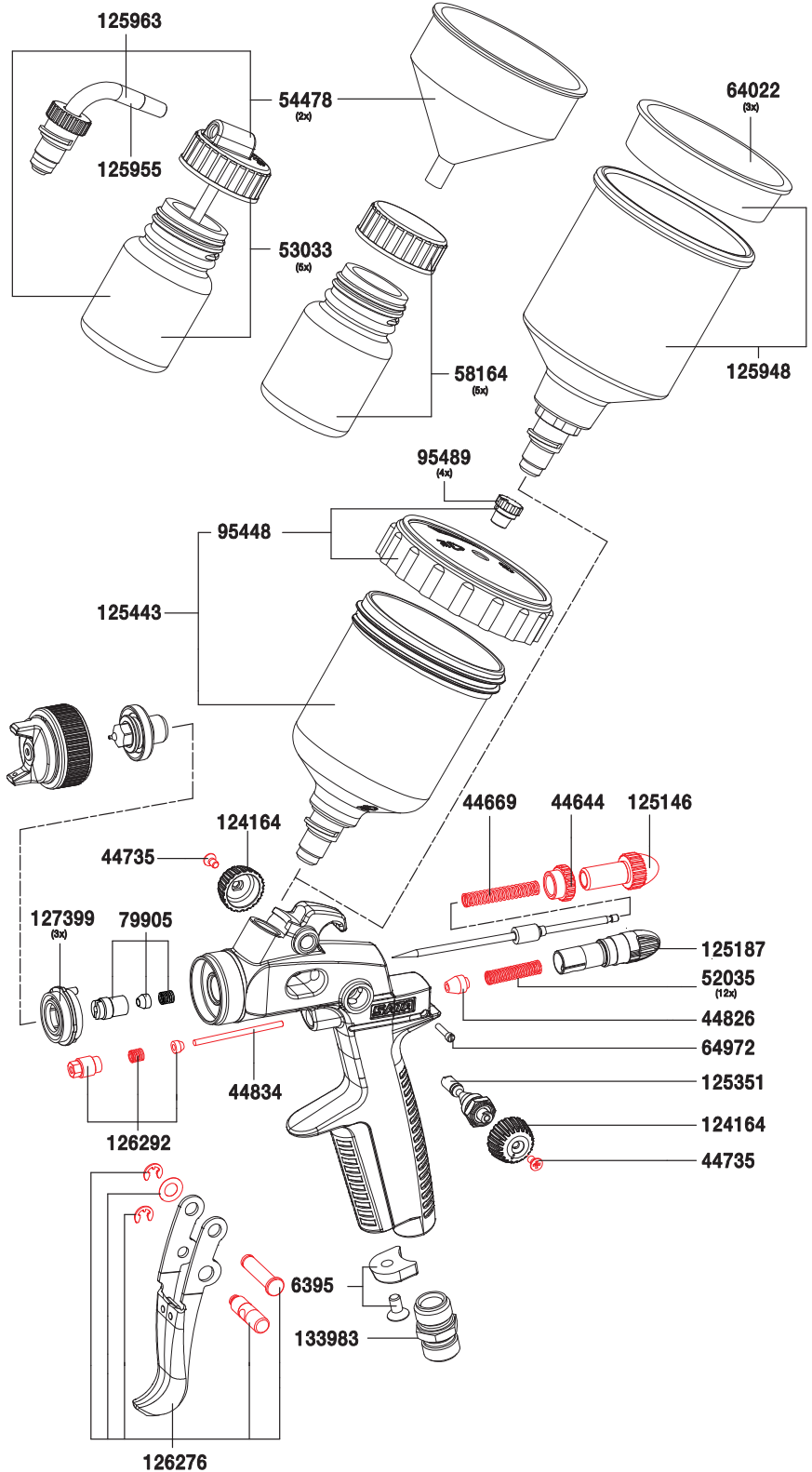


Spare Parts SATAminijet® 3000 B HVLP

Original SATA spare parts to enhance the lifetime of the spray gun

Art. No./Descr.
6395
Pack of 4 CCS clips available in colours green, blue, red and black
44644
Counter nut
44669
Pressure spring paint needle
44735
Countersunk screw M 2.5 x 5 DIN 965
44826
Air piston
44834
Air piston rod SATAminijet 3000 B HVLP, minijet 4 HVLP, jet 20 B, dekor 2000
50658
Packing kit
52035
Pack of 12 air piston springs for
53033
5 plug-in cups with lid
54478
Strainer for mini spray guns, packing unit: 2
58164
5 Glass cups of each 25 ccm with closed lid
64022
Pack of 3 PVC lids for 0,15 l aluminium cup
64972
Threaded pin
79905
Paint needle packing
95448
Screw-on lid 125 ccm PVC cup with anti-drip device
95489
Anti-drip device for 0.125 l screw-on lid, packing unit: 4
124164
Control knob
125146
Material flow control screw SATAminijet 3000 B HVLP, minijet 4 HVLP
125187
Air micrometer
125351
Spindle
125443
QCC quick replacement cup (PVC) 0,125 l
125948
QCC quick replacement cup (aluminium) 0,15 l
125955
Plug-in cup connection with QCC
125963
Add-on set consisting of plug-in cup connection with QCC, 5 plug-in cup connections with lid 25 cm and 2 strainers
126276
Trigger kit
126292
Packing kit air piston rod
127399
Pack of 3 air distribution rings
133983
Air connection piece G1/4a



- 125856
- Tool kit**
- High performance grease, 3g tube
 - Extraction tool
 - Cleaning brush
 - Wrench
 - Universal wrench



- Art. No./Descr.
- 126284**
- Repair kit SATAminijet 3000 B HVLP, minijet 4 HVLP**

All prices are suggested list prices. Errors, technical modifications and printing errors reserved.