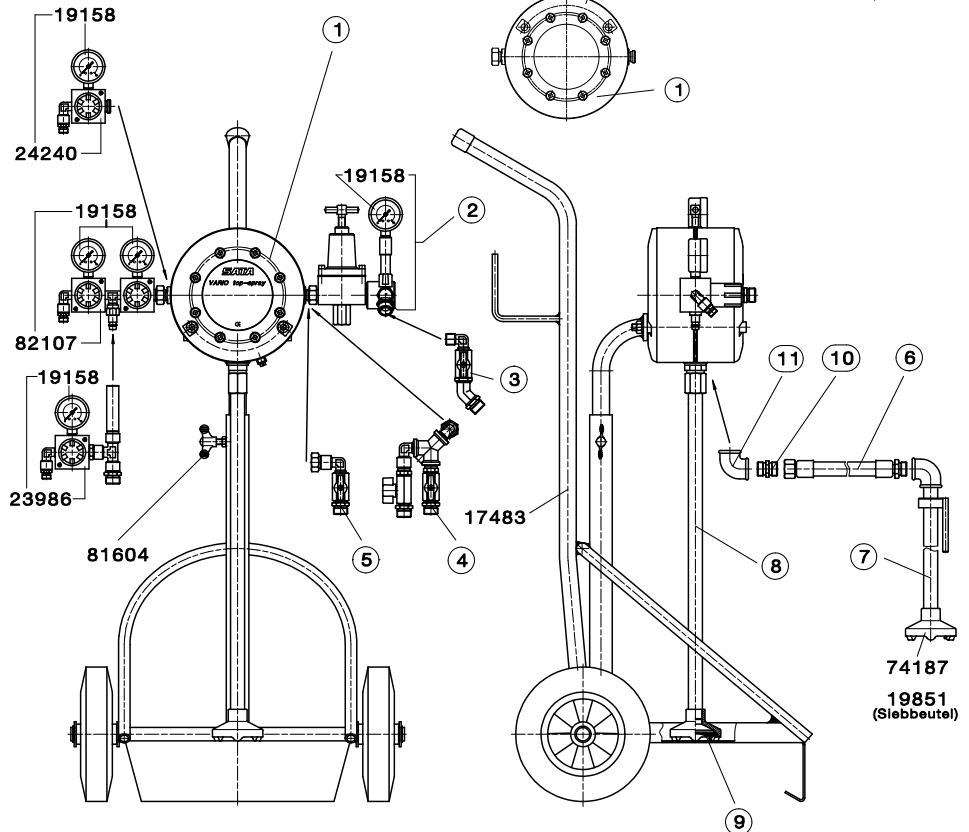
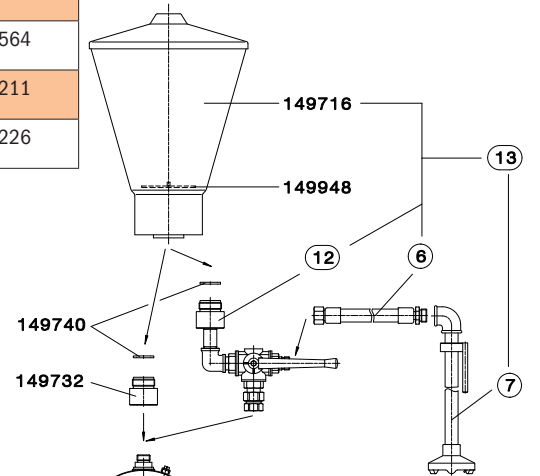


# Spare Parts SATA® vario top spray™

Double diaphragm pumps 1 : 1

Art. No./Descr.
17483 Trolley complete
19158 Pressure gauge 0-10 bar, 50 mm, G 1/4
19851 10 sieves
23986 Spray gun connection (air)
24240 Single pressure reducer with gauge 0-10 bars (0-150 psi)
74187 Suction globe, complete, for water borne materials
81604 Wing-shaped handle
82107 Double pressure reducer , complete with gauge 0-10 bars (0-150 psi)
149716 Gravity flow cup 6 l with lid
149732 Container stud
149740 Sealing A 33 x l 23
149948 Flat sieve 20 mesh , packing unit: 2 pieces

Position	Version	Standard	Waterborne ready version
①		61192	88641
②		24422	25338
③		72918	57570
④		64915	57992
⑤		82123	57968
⑥		62232	45047
⑦		73866	74023
⑧		79921	80879
⑨		74245 (MW 1,0) 74237 (MW 0,5)	
⑩		41384	82941
⑪		41368	56564
⑫		82909	74211
⑬		37986	37226



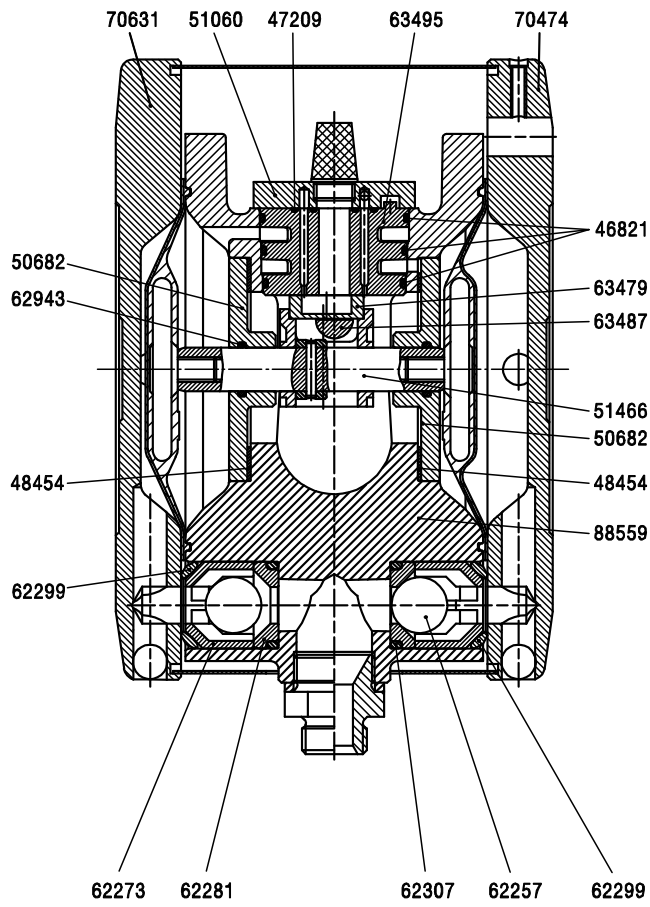
Art. No./Descr.
③ 72918 Spray gun connection (material) cpl. 57570 Spray gun connection (material) cpl. to material fine pressure regulator for second gun,
④ 64915 Spray gun connection (material) for two spray guns, without material fine pressure regulator 57992 Spray gun connection (material) for two spray guns, without material fine pressure regulator
⑤ 82123 Spray gun connection (material) for one spray gun, without material fine pressure regulator 57968 Spray gun connection (material) for one spray gun, without material fine pressure regulator Version for waterborne paints

All prices are suggested list prices. Errors, technical modifications and printing errors reserved.

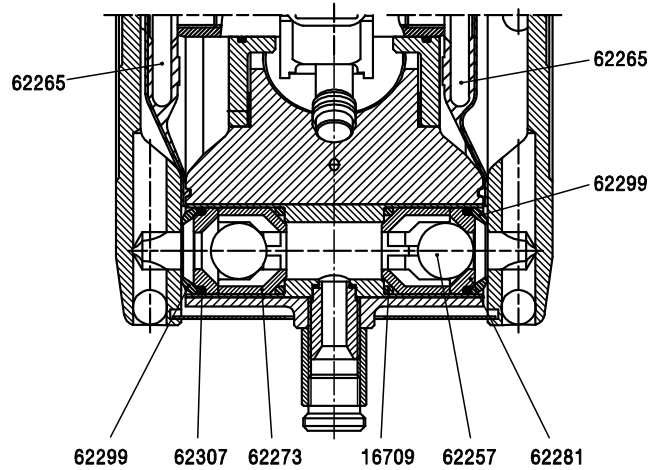
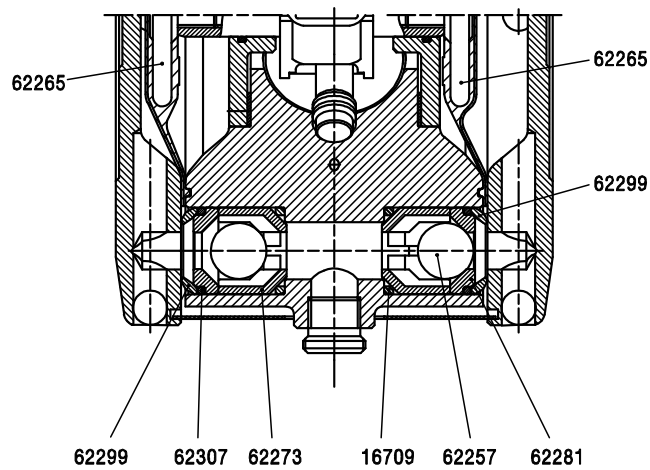
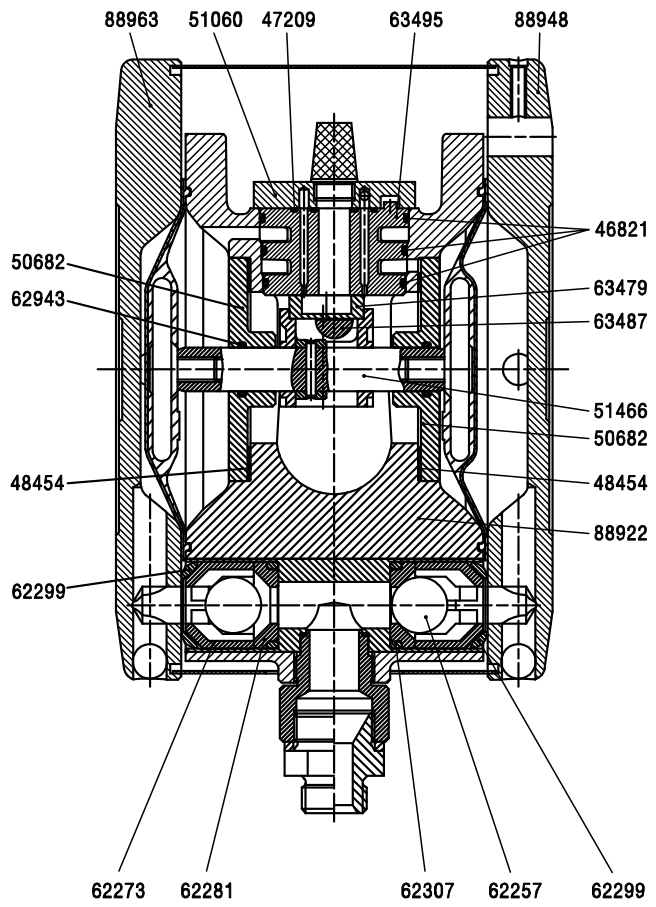
# Spare Parts SATA® vario top spray™ Pumps

Standard and stainless steel version

Double diaphragm pump - standard version



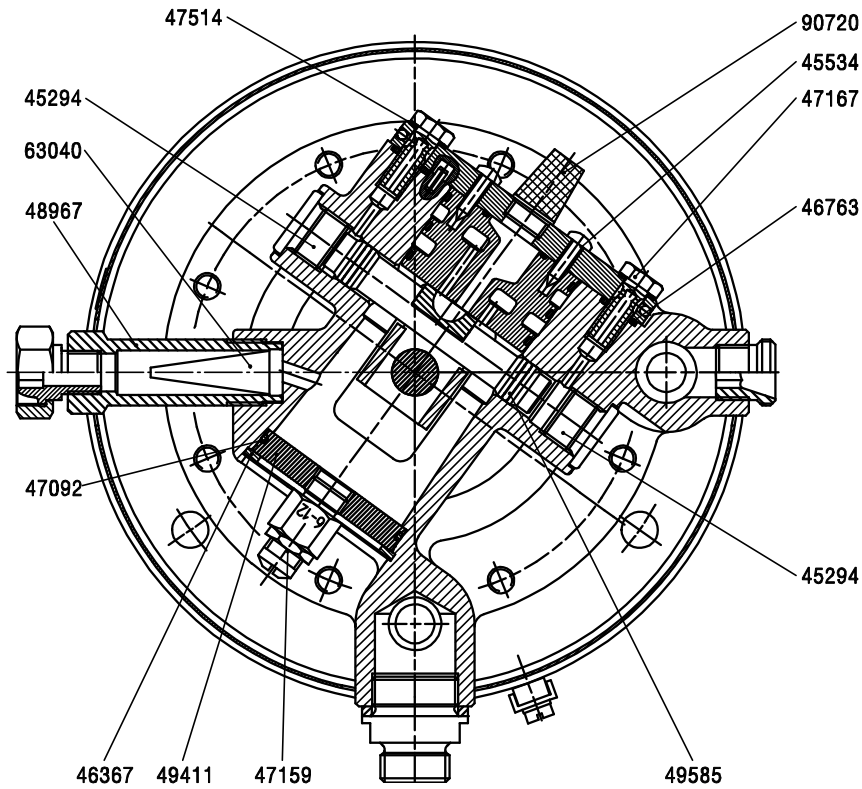
Double diaphragm pump - stainless steel version



All prices are suggested list prices. Errors, technical modifications and printing errors reserved.

# Spare Parts SATA® vario top spray™ Pumps

Standard and stainless steel version



**The following items are included in the sealing and repair kits:**

**included in 45195:** 46763 (2x), 46821 (3x), 47092, 47209, 47514 (2x), 48454 (2x), 49585 (2x), 62299 (4x), 62307 (4x), 62943 (2x)

**included in 60012:** 62265 (2x), 62299 (4x)

**included in 60038:** 46763 (2x), 46821 (3x), 47209, 47514 (2x), 62299 (4x), 63479, 63495

**included in 60228:** 16709 (2x), 62257(4x), 62273 (4x), 62281 (4x), 62299 (4x), 62307 (4x)

**included in 60301:** 46763 (2x), 46821 (3x), 47514 (2x), 62299 (4x), 63487

**included in 60657:** 48454 (2x), 51466, 62299 (4x), 62943 (2x)

**We recommend using sealing and repair kits to ensure that all concerned components can be completely exchanged.**

All prices are suggested list prices. Errors, technical modifications and printing errors reserved.