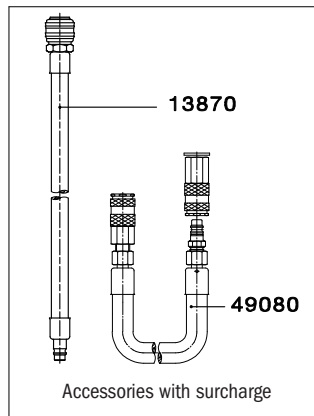
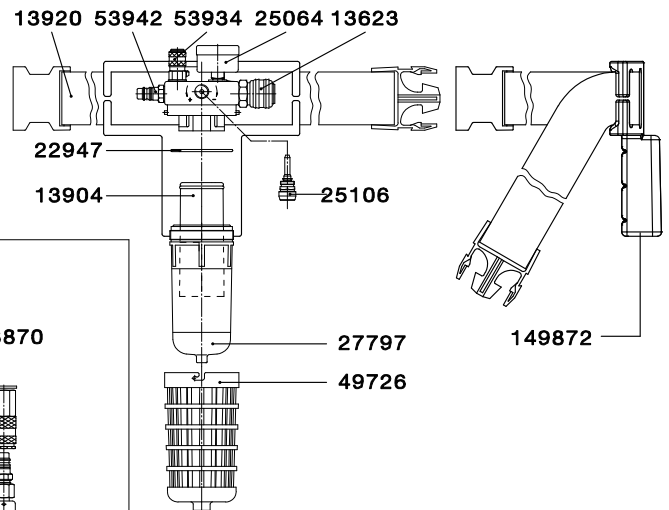
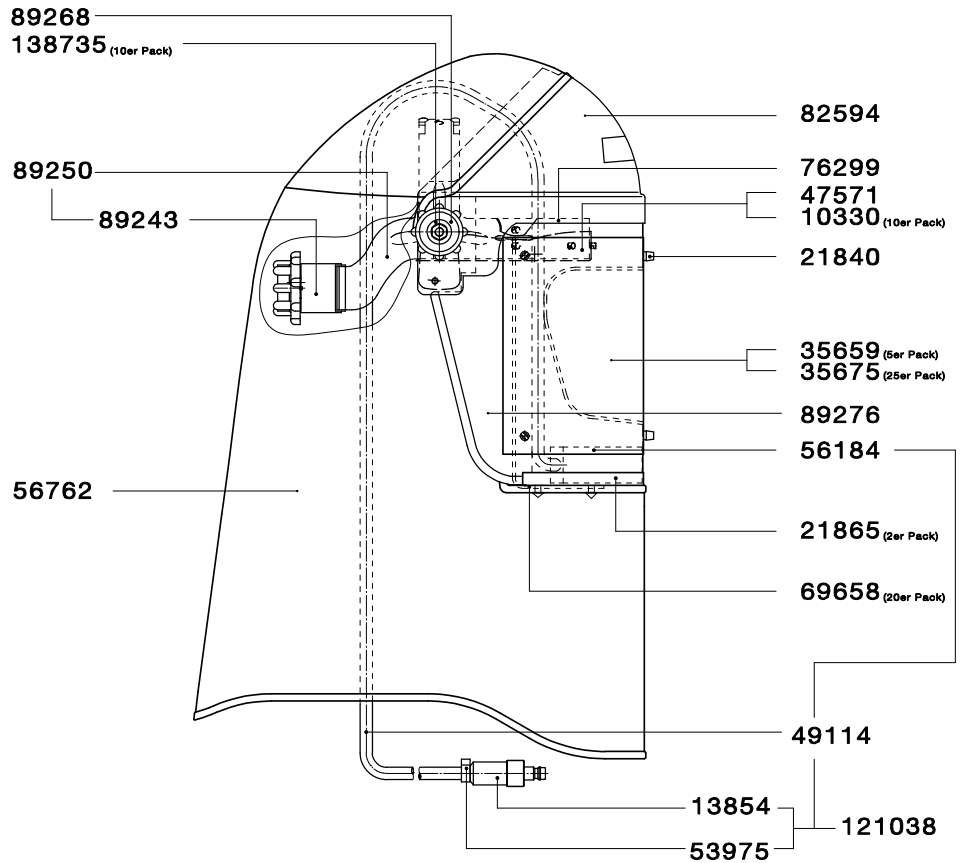


# Spare Parts SATA® vision™ 2000

Optimum protection using high quality: Original SATA Accessories

Art. No./Descr.
10330 Pack of 10 artificial leather sweat ribbons for SATA vision 2000
13623 SATA quick coupling 100.14 G 1/4 male thread
13854 Silencer for SATA respirator
13870 Air hose 1.2 m cpl. with fittings for paint spray guns to SATA respirators
13904 Filter cartridge for SATA respirators
13920 Belt with buckle for respirator
21840 Set of plug-in nipples complete
21865 Bottom part (2 pcs.)
22947 O-ring 54 x 2.5 mm Perbunan for respirator housing
25064 Gauge for respirator adsorber (new adsorber version)
25106 Spindle, complete, for adsorber (CE) of half mask + full face respirator
27797 Adsorber glass for full face respirator
35659 5 visor foils for SATA vision 2000 (6 holes)
35675 25 visor foils for SATA vision 2000 (6 holes)
47571 Respirator sweat ribbon, artificial leather
49080 Safety compressed air supply hose CE 9.5 x 5.0 mm, for SATA respirators CE version, 6 m long, cpl. according to DIN EN 139/270
49114 Air hose 1850 mm for SATA CE respirator w. acoustic warning device + foam sleeve
49726 Protective cage for respirator filter unit
53934 Safety quick coupling for SATA full face respirator
53942 Nipple G 1/4 for GS respirator, UBE + blow-off gun, size 14
53975 Hose clamp 10.5
56184 Foam sleeve for CE respirator
56762 Grey head cloth w. chest cover for respirators
69658 20 hood inlays for SATA vision 2000
76299 Foam stripes, one side self-adhesive 8 x 25 x 345 mm, for respirators
82594 Hood with velcro tape, loose
89243 Adjustable part for head strap of vision 2000 respirator
89250 Head strap, cpl.
89268 Double screws for vision 2000 respirator
89276 Carrier frame with side parts, plug-in nipples and bottom part
121038 Air hose 1850 mm acoustic warning device w. foam sleeve and silencer, cpl. w. fittings
138735 Pack of 10 units square screw connection
149872 Belt cushion and installation instructions



All prices are suggested list prices. Errors, technical modifications and printing errors reserved.